



Locator drill
CT-2020



2.0 external irrigation drill (Ø 2.0)
CT-1720E



3.5 external irrigation drill (Ø 3.0)
CT-1735E



4.3 external irrigation drill (Ø 3.6)
CT-1743E



5.1 external irrigation drill (Ø 4.6)
CT-1751E



6.0 external irrigation drill (Ø 3.6)
CT-17460E



6.5 external irrigation drill (Ø 4.6)
CT-1770E



Counterbore Ø 3.1
EL-3138



Counterbore Ø 4.3 - 5.1
EL-4351



Hard bone drill 3.5 mm
EL-1735N



Hard bone drill 4.3 mm
EL-1743N



Hard bone drill 5.1 mm
EL-1751N



Hard bone drill 6.1 mm
EL-1751N



Hard bone drill 7.1 mm
EL-1751N



Bone tap
EL-TAP38



Bone tap
EL-TAP43



Bone tap
EL-TAP51



Drill Extender
CT-2000



Manual Hex Driver (xs/s/n)
CT-9025XS
CT-9025S
CT-9025



1.25mm Hextool Torque Wrench
Attachments
CT-8051
CT-8052 (Long)



Implant Latch Driver
CT-E9040



Implant Ratchet Driver Short and Long
BL-E7001
BL-E7001L



Depth Gauge (3.5/ 4.3/ 5.1)
CT-E9007
CT-E9008
CT-E9010



Paralleling Pins, qty. 2
(1.6 mm & 2.0 mm) CT-9000



7 mm	EL-4307	EL-5107	EL-6007	EL-7007
8 mm			EL-6008	EL-7008
9 mm	EL-3509	EL-4309	EL-5109	
10 mm			EL-6010	EL-7010
11 mm	EL-3511	EL-4311	EL-5111	
12 mm			EL-6012	EL-7012
13 mm	EL-3513	EL-4313	EL-5113	
14 mm			EL-6014	EL-7014
15 mm	EL-3515	EL-4315	EL-5115	



Set metal stopper (L.9/11/13/15)
CT-Stop 07/08/09/10

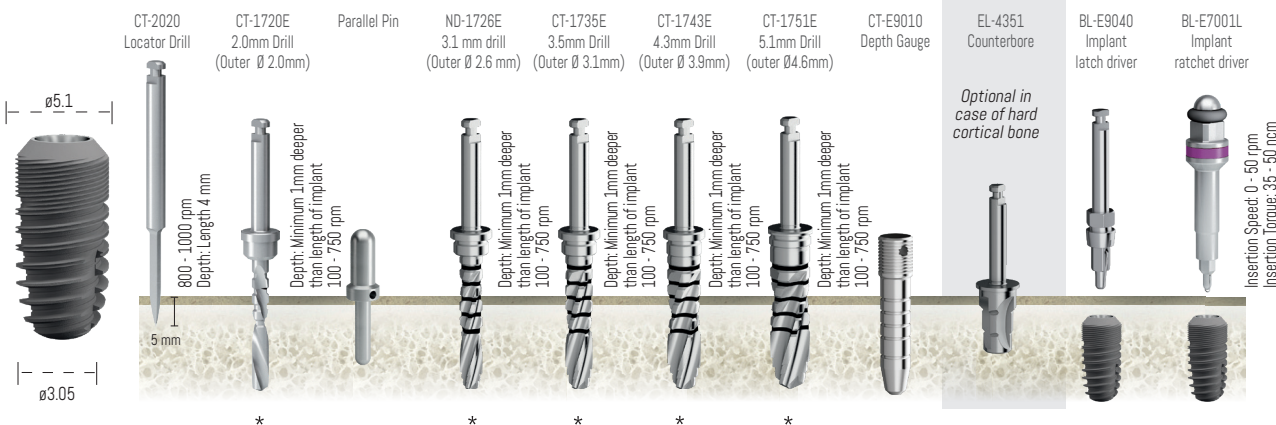
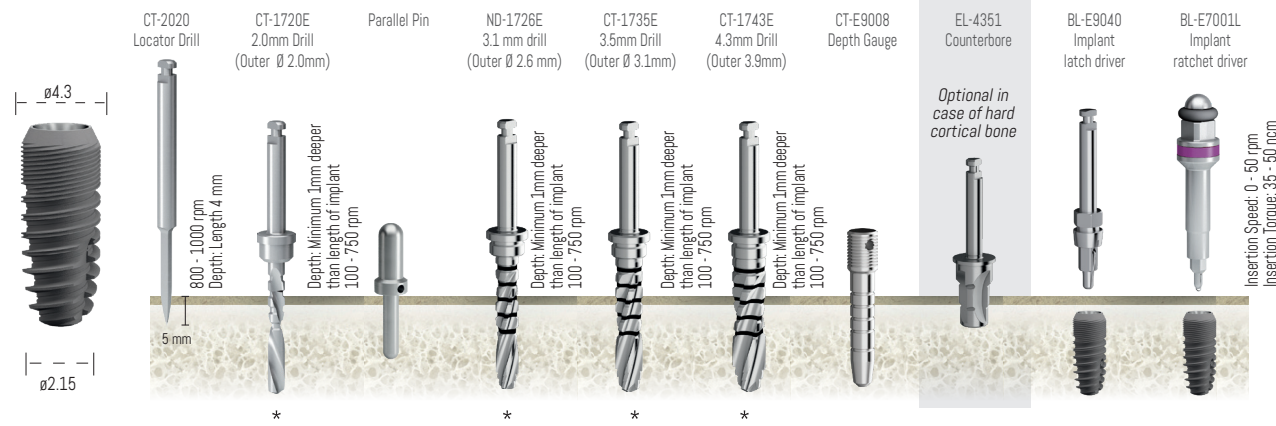
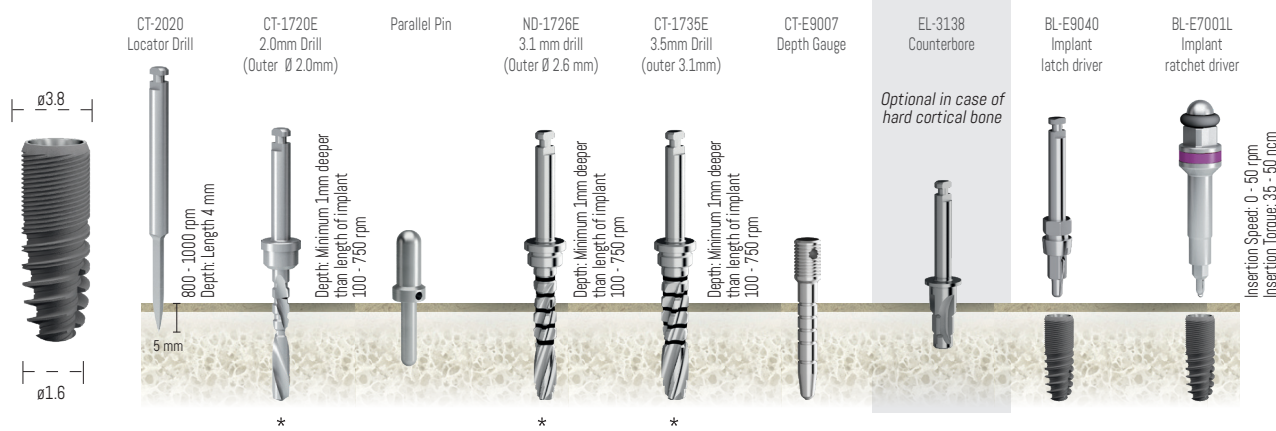


Abutment Extractor Screw
BL-6060

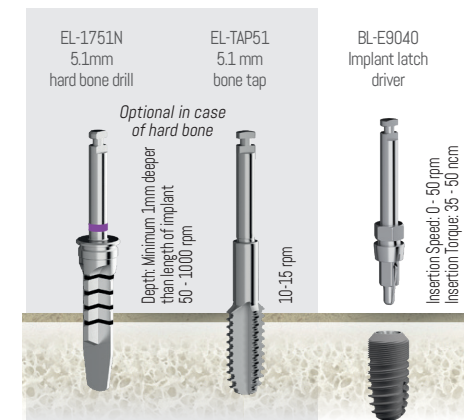
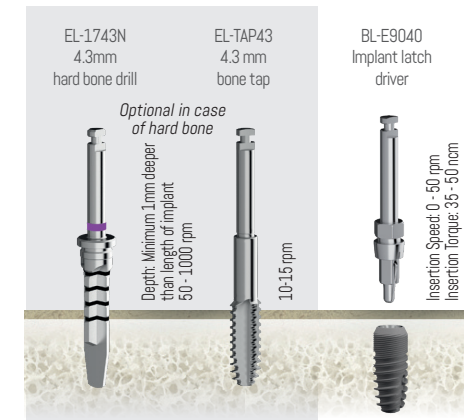
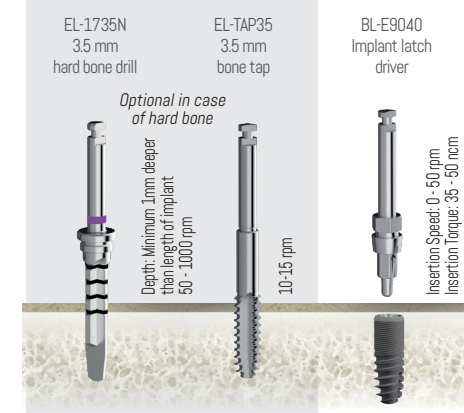


Torque Wrench (50 Ncm)
CT-8010

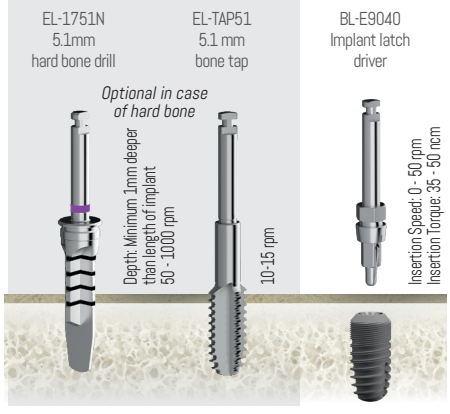
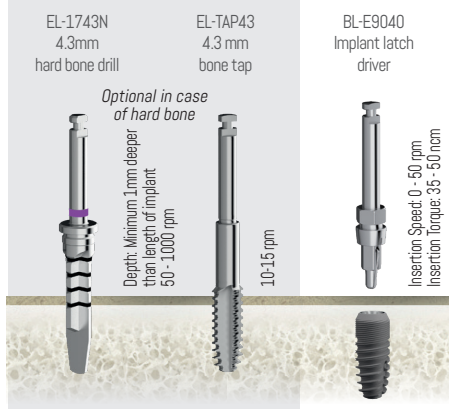
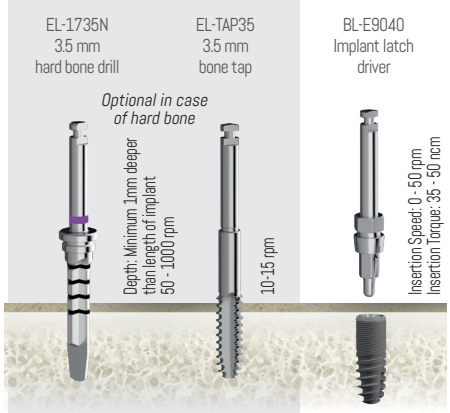
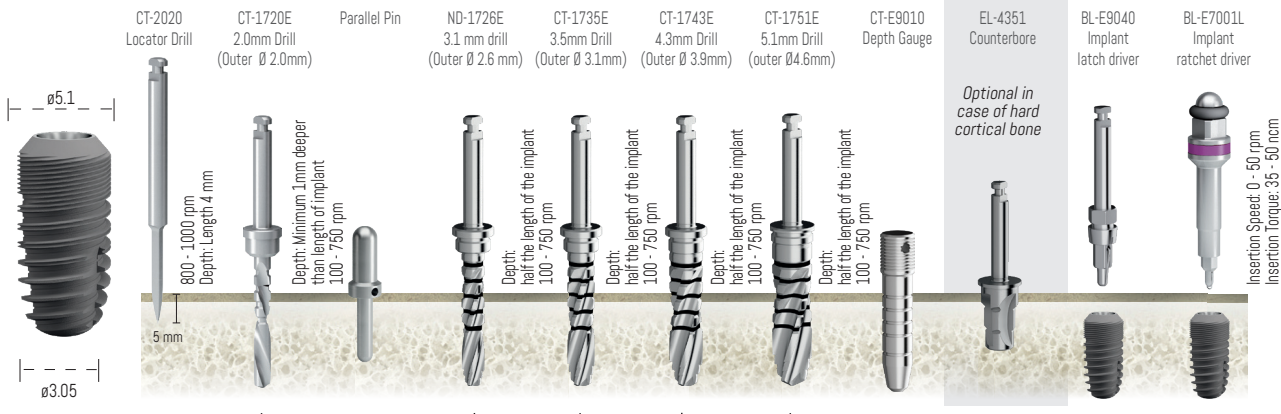
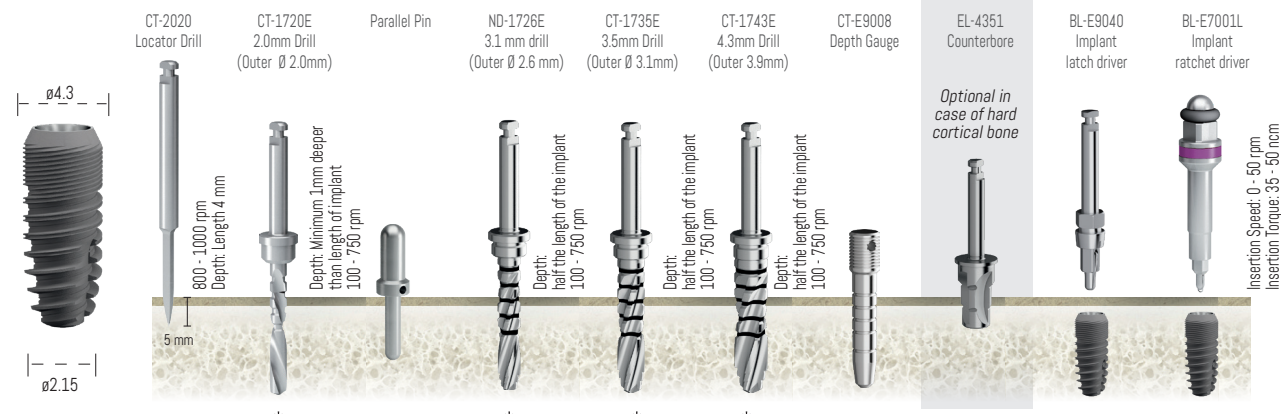
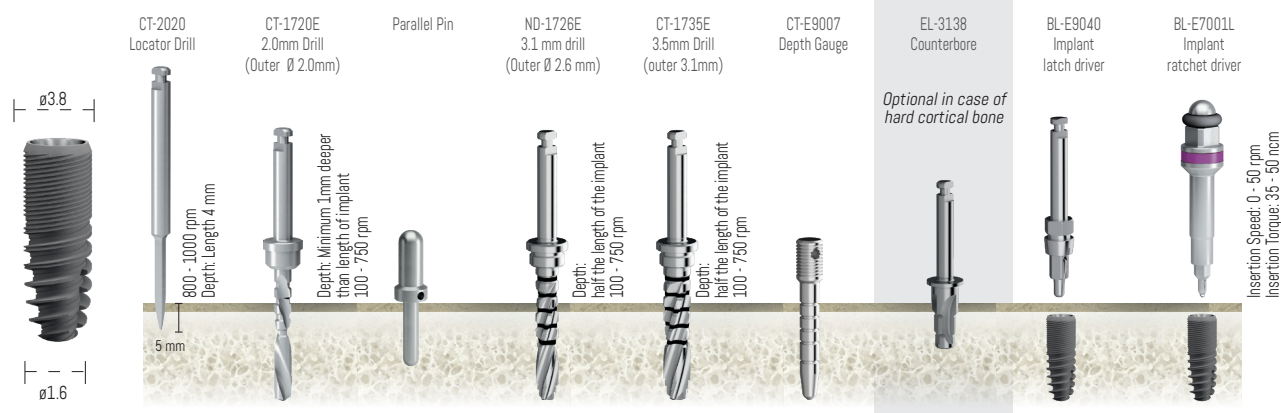
FOR DENSITY D2



D1 ADDITIONAL STEPS



*Depth: Minimum 1mm deeper than the length of implant to allow for subcrestal seating. **Note:** an additional 04 mm must be added to the length of the drill due to the length of the cutting tip.



*Depth: Minimum 1mm deeper than the length of implant to allow for subcrestal seating. **Note:** an additional 04 mm must be added to the length of the drill due to the length of the cutting tip.

Explanation of Drill Marking

- The drill markings do not include the point of the drill.
- The point of the drill is 0.4 mm long, thus the drill marking of 7 mm is actually 7.4 mm from the very tip to the bottom of the first black line.
- The implant should be set approximately 1 mm subcrestally, thus for a 13 mm implant, one should drill to the 14 mm. The use of metal stop is recommended.

